

Slimline® Bedpan Washer Model BPW-1150 Flushometer



Description

Royal® Slimline® Bedpan Washer Water Closet Flushometer, for floor mounted or wall hung top spud bowls. For installation where clearance is required around Grab Bars. Installation meets ADA height requirements.

Flush Cycle

- Model BPW-1150-1.6 Low Consumption (1.6 gpf/6.0 Lpf)
- Model BPW-1150 Water Saver (3.5 gpf/13.2 Lpf)

Specifications

Quiet, Exposed, Diaphragm Type, Chrome Plated Closet Flushometer with the following features:

- Dual Filtered Bypass
- ADA Compliant Metal Oscillating Non-Hold-Open Handle with Triple Seal Handle Packing
- 1" I.P.S. Screwdriver Bak-Chek® Angle Stop
- Free Spinning Vandal Resistant Stop Cap
- Adjustable Tailpiece
- High Back Pressure Vacuum Breaker Flush Connection with One-piece Bottom Hex Coupling Nut
- 1½" Offset Flush Tube
- Spud Coupling and Flange for 1½" Top Spud
- Sweat Solder Adapter w/Cover Tube & Cast Wall Flange w/Set Screw
- Diaphragm, Handle Packing, Stop Seat and Vacuum Breaker molded from PERMEX® rubber compound for Chloramine resistance

Bedpan Washer Diverter Assembly with the following features:

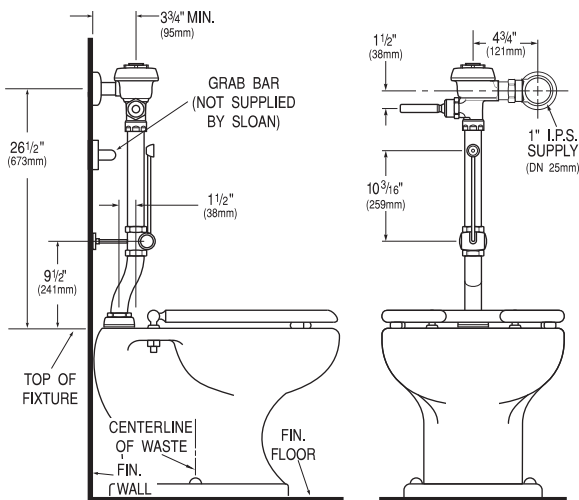
- Solid One-piece Body Construction
- Solid Brass Spray Arm
- Counter Balanced Pivot Assembly
- Diverter Valve Wall Support
- Offset Flush Connection for clearance around Grab Bar installations

Valve Body, Cover, Tailpiece and Control Stop shall be in conformance with ASTM Alloy Classification for Semi-Red Brass. Valve shall be in compliance to the applicable sections of ASSE 1037 and ANSI/ASME A112.19.2.

Variations

- YI** Two Wall Bumpers (for open front seat without cover)
- YK** Solid Ring Pipe Support Variation
- YO** Angle Stop Bumper
- SG** SaniGuard® Antimicrobial Handle and Spray Arm*

* SaniGuard does not protect users or others against disease-causing bacteria.



This space for Architect/Engineer approval

Job Name _____ Date _____

Model Specified _____ Quantity _____

Variations Specified _____

Customer/Wholesaler _____

Contractor _____

Architect _____

The information contained in this document is subject to change without notice.



SLOAN • 10500 SEYMOUR AVE. • FRANKLIN PARK, IL. 60131

Phone: 1-800-982-5839 or 1-847-671-4300 • Fax: 1-800-447-8329 or 1-847-671-4380

www.sloanvalve.com